

# World Telecom Labs



## Making More of your Mediant

Newsbrief WORLD TELECOM LABS

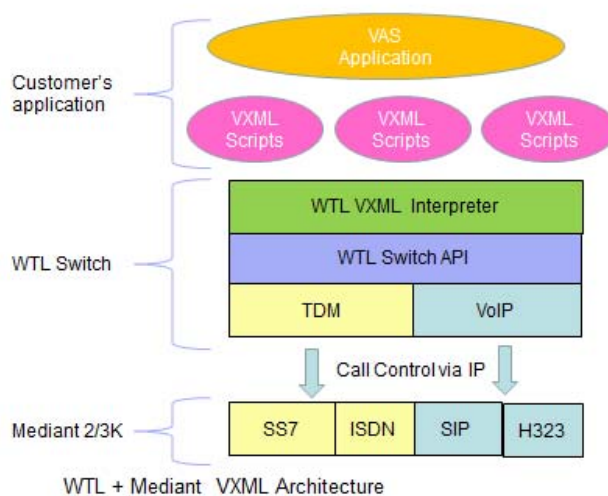
Edition April 2012

### Add VXML Support To Your Mediant Gateway

Combining the AudioCodes Mediant1 family with the WTL PVx and its built-in VXML interpreter opens new markets in the Voice VAS (Value-Added Services) world. Support for VXML commands by WTL switches and gateways means that application developers can create standards-based solutions that will run on any network. Because of the wide range of protocols offered by WTL equipment, developers can develop an application once but deploy wherever required without having to worry about the underlying network technology.

Tap into the huge range of VXML-enabled applications:

- Information services
- Auto-attendant systems
- Telephone voting
- Games & competitions
- Pre-paid telephony
- ....and many, many others



#### Benefits

- Brings off-the-shelf gateway to VXML market
- Full range of VXML tags supported
- High performance - ideal for call centres & IVR

- Scalable - pay as you grow
- Message playing from files on media server
- TTS (Text To Speech) support
- https supported for better security between the PVx and the VAS server
- HA version available for carrier-grade deployments
- Works with E1 or STM-1 Mediants

### How does it work?

Adding a VXML Interpreter is a natural extension for WTL's Value-Added PVx Accelerator. The product means customers can build scalable, multi-protocol solutions using WTL's VXML & MGC expertise and the Mediant's media gateway strengths. The PVx can support up to 600 simultaneous VXML sessions and use these to control SIP, H323, ISDN or SS7 calls on the Mediant. For higher capacities, units can be stacked. A single PVx will perform this service for many Mediants if required and, of course, for a pure VoIP application the PVx can work without the Mediant.

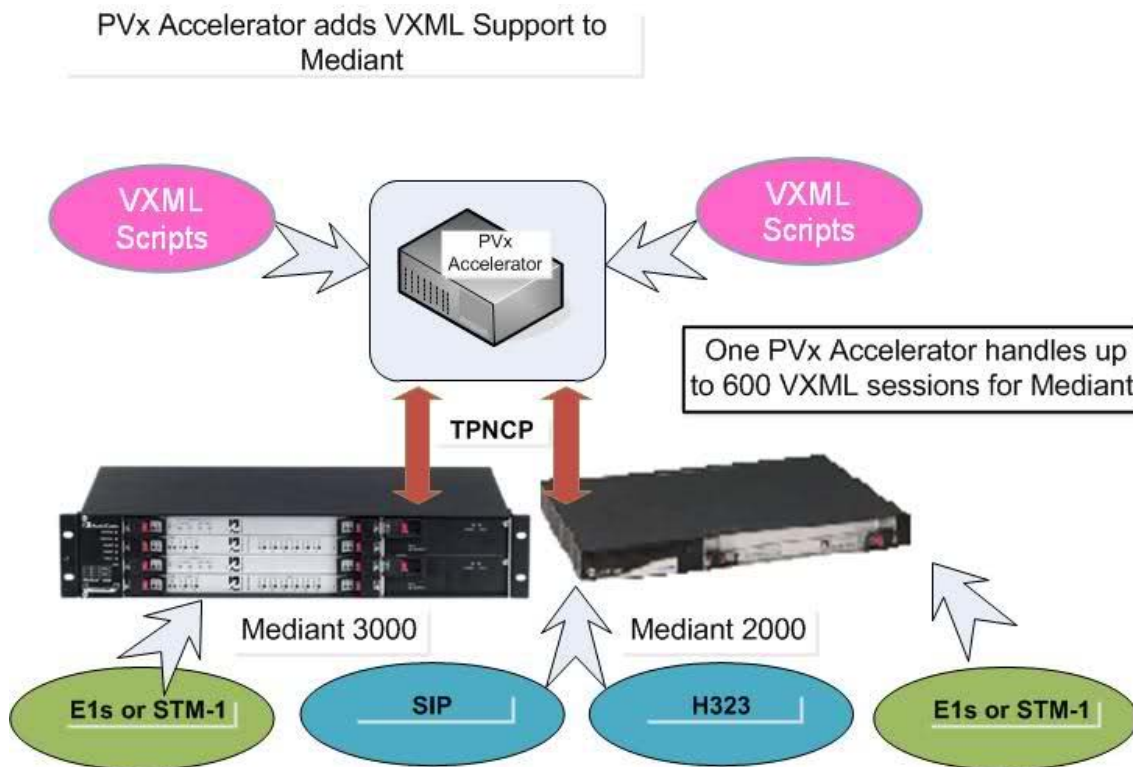
WTL have created a very rich implementation of VXML 2.1 with extensive Tag support. In addition Message Playing is included with multi-codec support to serve all possible call scenarios. Messages are fetched from the location defined by the URL in the VXML script and played.

Intelligent caching is used to hold frequently played messages locally in the PVx. Full http caching is also supported. This is important to reduce the load on the VAS server for static documents, such as the VXML root application,

TTS (Text To Speech) is also available (based on the leading Cepstral TTS engine). The expected use of this feature is to assist application developers during their prototyping phase.

Also note that this VXML interpreter can run in parallel with all the other features of the WTL switch (MGC, protocol conversion, Bandwidth Optimisation and many others)

The product is also available in a HA (High Availability) mode where 2 PVxs will operate as an automatic Active/Standby.



### WTL & The PVx Range

World Telecom Labs is a Belgium-based company which has long been a leader in the provision of VoIP switches, Pre-Paid applications and signaling gateways for emerging carriers and telecom service operators. WTL has an installed base of 100,000s of voice ports with service providers worldwide switching billions of minutes of VoIP traffic using WTL equipment.

The WTL PVx family has been designed and perfected over many years to give a range of added-value services to Mediant gateways. WTL is a long term technology partner of AudioCodes since becoming one of the company's first customers in Europe more than 10 years ago.

Please [contact us](#) to learn more details about this solution.

We will be in touch soon with news of other Signalling, Protocol Conversion, Bandwidth Saving and Ease of Use products which can enhance the Mediant gateway.

<sup>1</sup> Mediant is a trademark of AudioCodes Inc.

Newsbrief WORLD TELECOM LABS April 2012